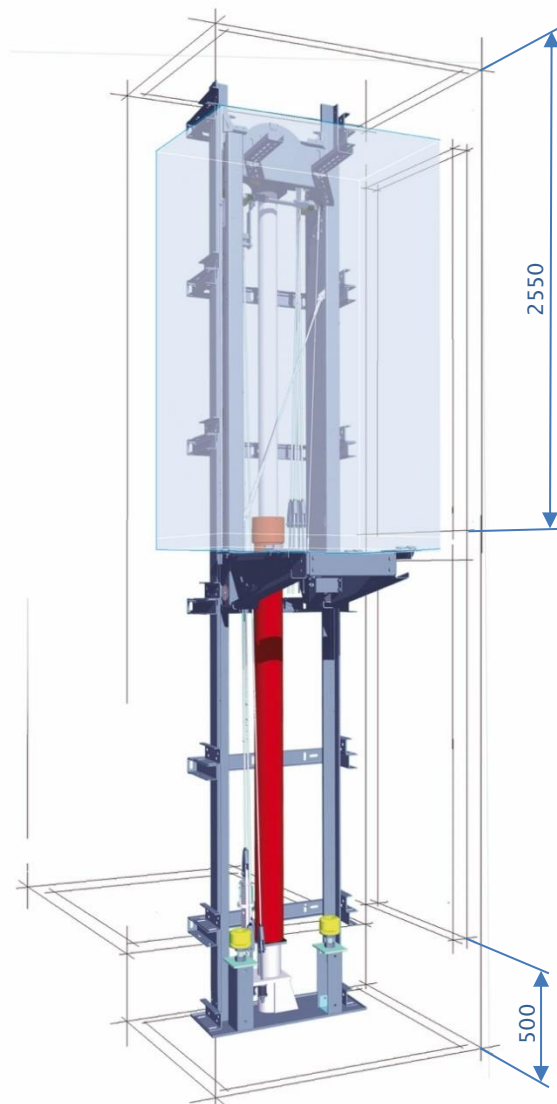


# Car Frame Kit Pluto MK-II

For Rucksack - Applications

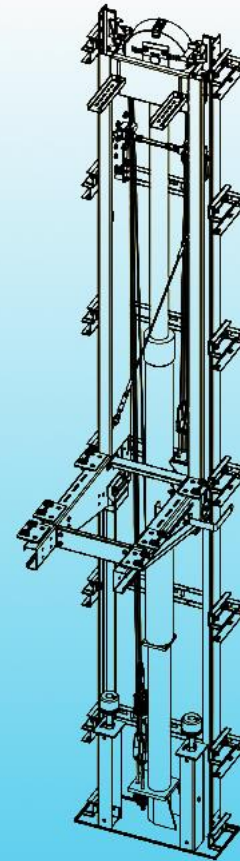
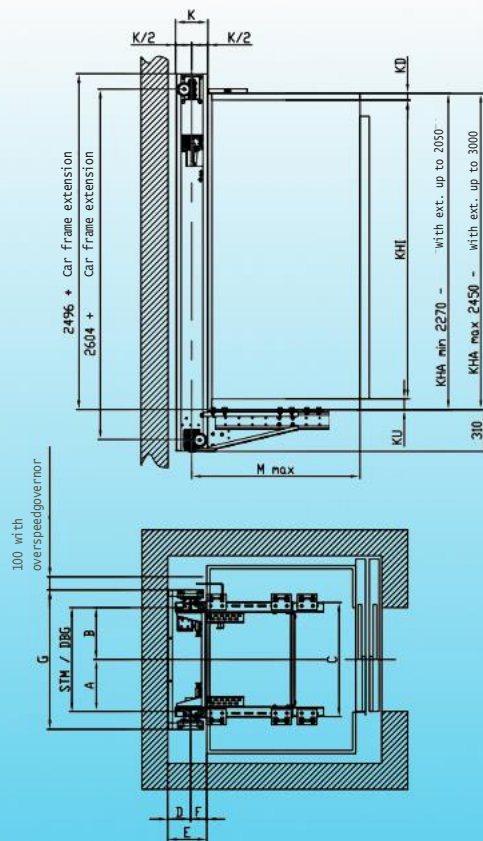


Main planning data Rucksack indirect

## Key data Pluto BR2 MK-II (2:1)

### Available sizes:

Total load	1500 kg	1500 kg	1500 kg	2500 kg	2500 kg	3500 kg	3500 kg
Typical load	320 kg	630 kg	630 kg	1000 kg	1000 kg	1600 kg	1600 kg
DBG	500 mm	650 mm	800 mm	800 mm	1100 mm	1100 mm	1500 mm
Frame Typ	BR2-15	BR2-15	BR2-15	BR2-25	BR2-25	BR2-35	BR2-35



### Dimensions in mm:

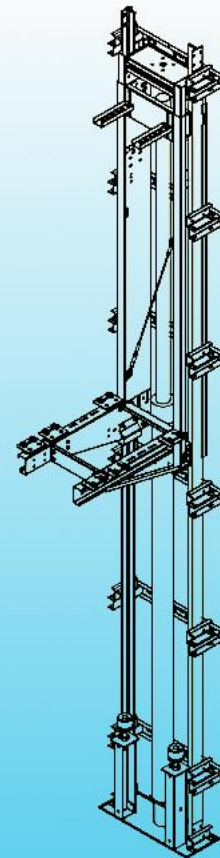
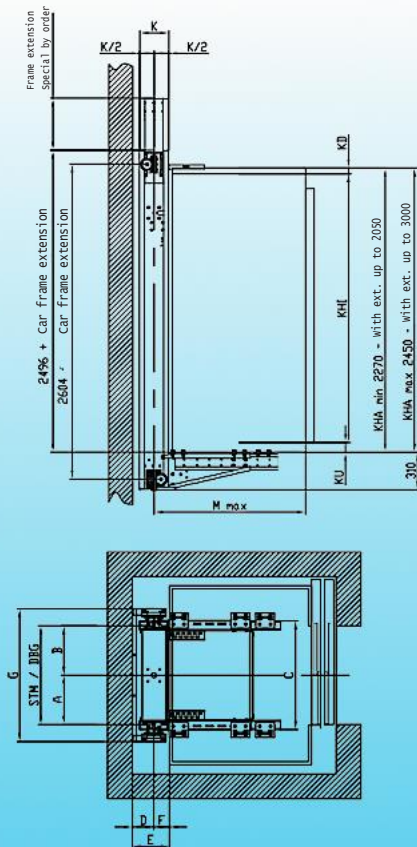
Frame Typ	SM	A	B	C	D min.	E	F min.	G	K	M max.
BR2-15-500	500	271	229	590	175	300	125	789	240	1585
BR2-15-650	650	325	325	740	175	300	125	939	240	1585
BR2-15-800	800	400	400	890	175	300	125	1089	240	1585
BR2-25-800	800	400	400	890	200	350	150	1089	290	1900
BR2-25-1100	1100	342	758	1190	200	350	150	1389	290	1900
BR2-35-1100	1100	400	700	1212	250	425	175	1389	340	2225
BR2-35-1500	1500	520	980	1612	250	425	175	1789	340	2225

Main planning data Rucksack direct

# Key data Pluto BR1 MK-II (1:1)

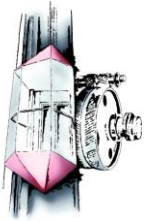
Available sizes:

Total load	1500 kg	1500 kg	1500 kg	2500 kg	2500 kg	3500 kg	3500 kg
Typical load	320 kg	630 kg	630 kg	1000 kg	1000 kg	1600 kg	1600 kg
DBG	500 mm	650 mm	800 mm	800 mm	1100 mm	1100 mm	1500 mm
Frame Typ	BR1-15	BR1-15	BR1-15	BR1-25	BR1-25	BR1-35	BR1-35



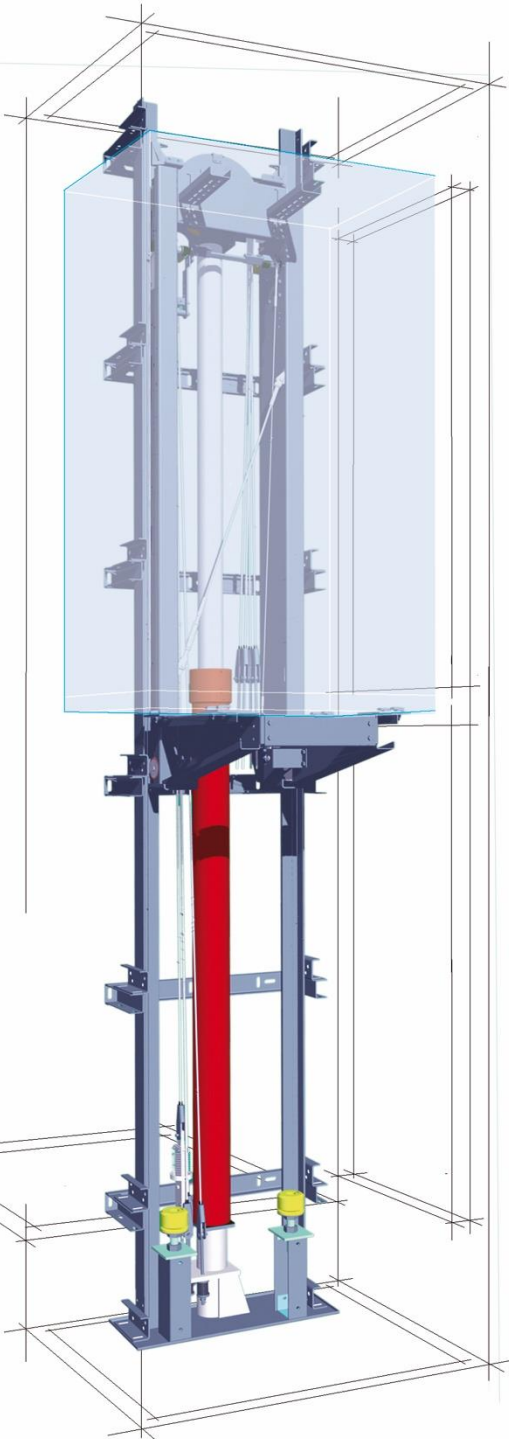
Dimensions in mm:

Frame Typ	SM	A	B	C	D min.	E	F min.	G	K	M max.
BR1-15-500	500	250	250	590	175	300	125	789	240	1585
BR1-15-650	650	325	325	740	175	300	125	939	240	1585
BR1-15-800	800	400	400	890	175	300	125	1089	240	1585
BR1-25-800	800	400	400	890	200	350	150	1089	290	1900
BR1-25-1100	1100	550	550	1190	200	350	150	1389	290	1900
BR1-35-1100	1100	550	550	1212	250	425	175	1389	340	2225
BR1-35-1500	1500	750	750	1612	250	425	175	1789	340	2225



Flexible and slim: the PlutoMK-II frame kit

## Advantages of the Design



- **Minimum shaft headroom 2550 mm**
  - According to standard: 3350 mm
  - With alternative safety measures: 2550 mm (Certified by TÜV Süd)
- **Minimum pit 500 mm**
  - According to standard: 1000 mm
  - With alternative safety measures: 500 mm (Certified by TÜV Süd)
- **High flexibility even in the small shaft**
  - Smallest DBG: 500 mm
  - Further DBG dimensions: 650, 800, 1100, 1500
  - Rail brackets for different wall distances available
- **Higher load capacity**
  - Carrying frame weight reduced by 20%
- **Easy and quick installation**
  - Pre-assembled components
- **Simple service**
  - Leading components are easily accessible and easily replaceable
- **Project planning**
  - All documents for the project planning can be downloaded from [www.berchtenbreiter-gmbh.de](http://www.berchtenbreiter-gmbh.de) (registration required).
- **Flexible selection of the drives are available**
  - All modern hydraulic power units can be used

### Berchtenbreiter GmbH

Mäherweg 1a · D-86637 Rieblingen · Phone +49(0) 8272 9867 - 0 · Fax +49(0) 8272 9867-30  
[info@berchtenbreiter-gmbh.de](mailto:info@berchtenbreiter-gmbh.de) · [www.berchtenbreiter-gmbh.de](http://www.berchtenbreiter-gmbh.de)